

# PRODUCT INFORMATION PACKET

Model No: 213TTDWD16347  
Catalog No: E167A  
7 1/2,1800,DP,213JMV,3/60/200  
JM



Regal and Marathon are trademarks of Regal Beloit Corporation or one of its affiliated companies.  
©2018 Regal Beloit Corporation, All Rights Reserved. MC017097E





### Nameplate Specifications

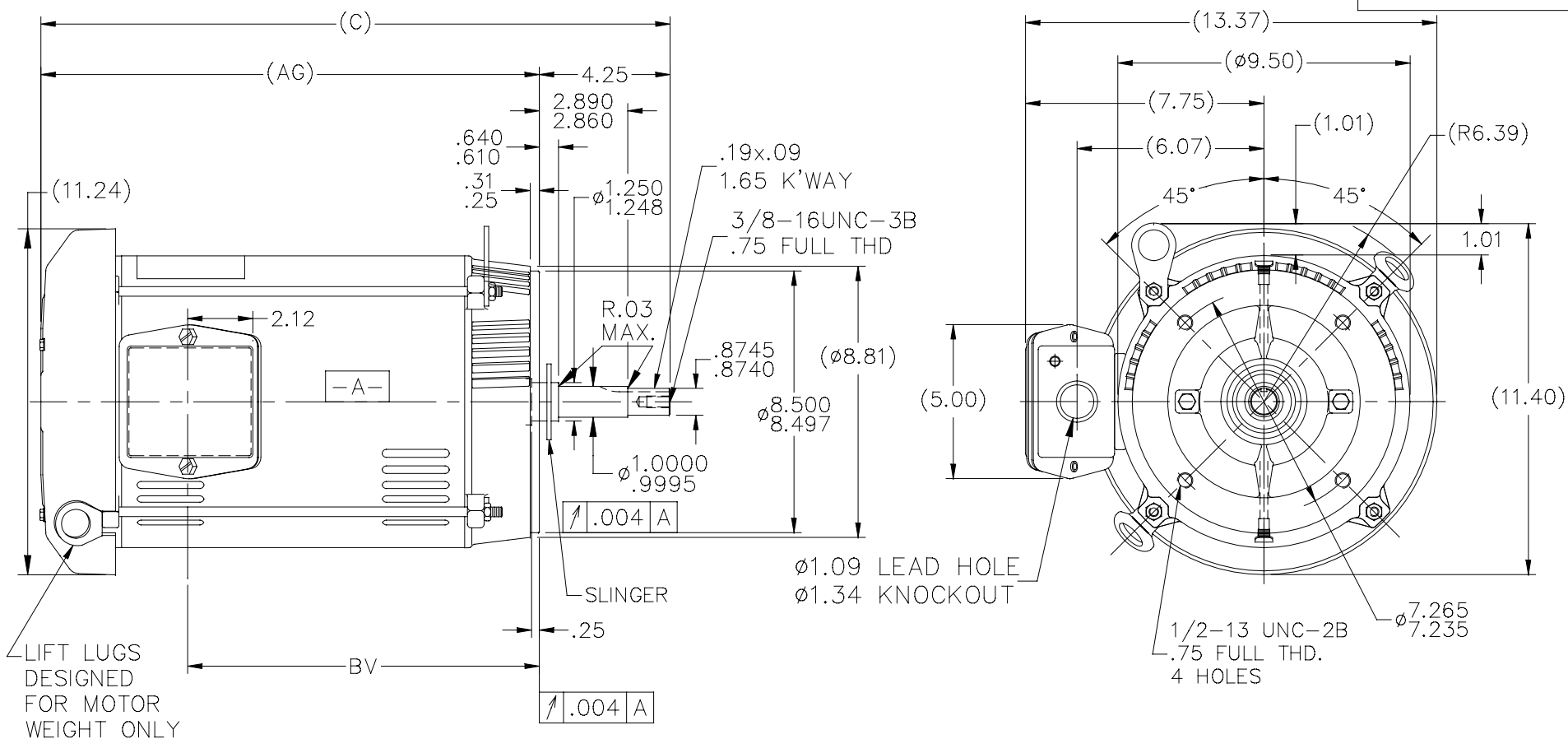
Output HP	<b>7.50 Hp</b>	Output KW	<b>5.6 kW</b>
Frequency	<b>60 Hz</b>	Voltage	<b>200 V</b>
Current	<b>23.0 A</b>	Speed	<b>1765 rpm</b>
Service Factor	<b>1.15</b>	Phase	<b>3</b>
Efficiency	<b>91 %</b>	Duty	<b>Continuous</b>
Insulation Class	<b>F</b>	Design Code	<b>B</b>
KVA Code	<b>H</b>	Frame	<b>213JMV</b>
Enclosure	<b>Drip Proof</b>	Overload Protector	<b>No</b>
Ambient Temperature	<b>40 °C</b>	Drive End Bearing Size	<b>6309</b>
Opp Drive End Bearing Size	<b>6206</b>	UL	<b>Recognized</b>
CSA	<b>Y</b>	CE	<b>Y</b>
IP Code	<b>22</b>		

### Technical Specifications

Electrical Type	<b>Squirrel Cage Induction Run</b>	Starting Method	<b>Across The Line</b>
Poles	<b>4</b>	Rotation	<b>Reversible</b>
Mounting	<b>Round</b>	Motor Orientation	<b>Shaft Down</b>
Drive End Bearing	<b>Ball</b>	Opp Drive End Bearing	<b>Ball</b>
Frame Material	<b>Rolled Steel</b>	Shaft Type	<b>JM</b>
Overall Length	<b>18.94 in</b>	Shaft Diameter	<b>1.375 in</b>
Shaft Extension	<b>4.28 in</b>	Assembly/Box Mounting	<b>F1/F2 Capable</b>
Outline Drawing	<b>SS86596-1115</b>	Connection Diagram	<b>005102.01</b>

This is an uncontrolled document once printed or downloaded and is subject to change without notice. Date Created: 06/29/2018

SS86596



DASH	FR.	C	AG	BV
965	213JM	18.94	14.69	9.93
1115	213/15JM	20.44	16.19	11.43
1240	213/15JM	21.69	17.44	12.68

NOTES:

1. NAMEPLATE TO BE READ FROM SHAFT EXT. END OF MOTOR.
2. BOX CAN BE MOUNTED IN 90° STEPS.

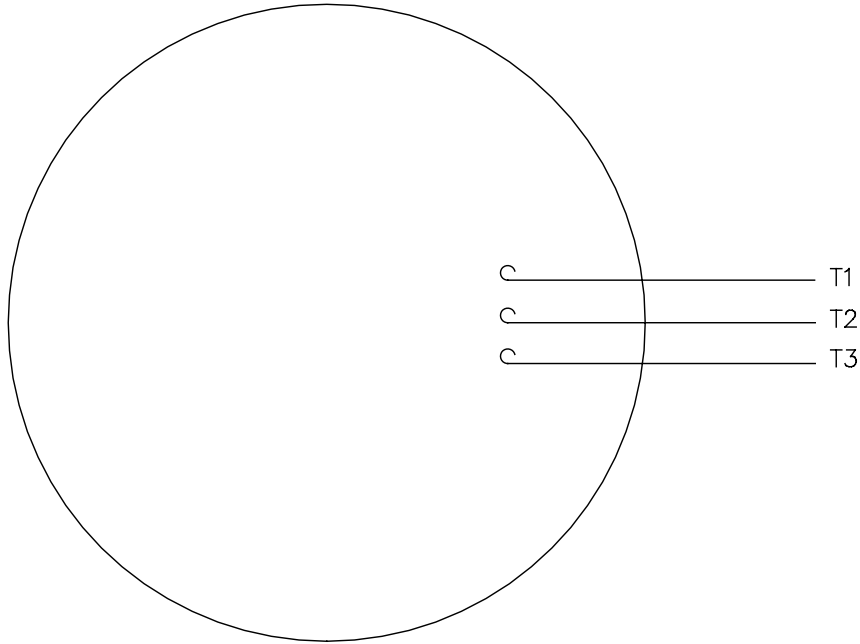
NO.	REVISION	BY & DATE	CHK	ANG	±7'30"	TOLERANCES UNLESS SPECIFIED		DRAWN DA 03 26 1996
						DEC.	INCHES	
6	TITLE BLOCK LOGO CHANGE PER ECO-0078542	MDV 06/09/2015						CHK ML 04-01-1996
5	UPDATED DRAWING	TJW 04/30/2007						APPD DN 04-01-1996
4	REDRAWN IN AUTOCAD	TAT 07-06-2004	ML	.X	±.1			SCALE 1=5
3	UPDATED DRIP COVER GEOMETRY CN 29200-433	DRS 01-25-2002		.XX	±.03		TITLE OUTLINE - C' FACE	REF
2	UPDATED C' BOX GEOMETRY CN 28425	DRS 01-31-2001		.XXX	±.005		210JM FR. - DR. PR.	FMF
1	NEW DRAWING - DES/DEV	DA 04-02-1996		.XXXX	±.0005		MAT'L.	PREV
			RFP			CAD FILE ss86596	SIZE A	DRAWING NO. SS86596
			DIST LB					PAGE OF 6
								REV. 6



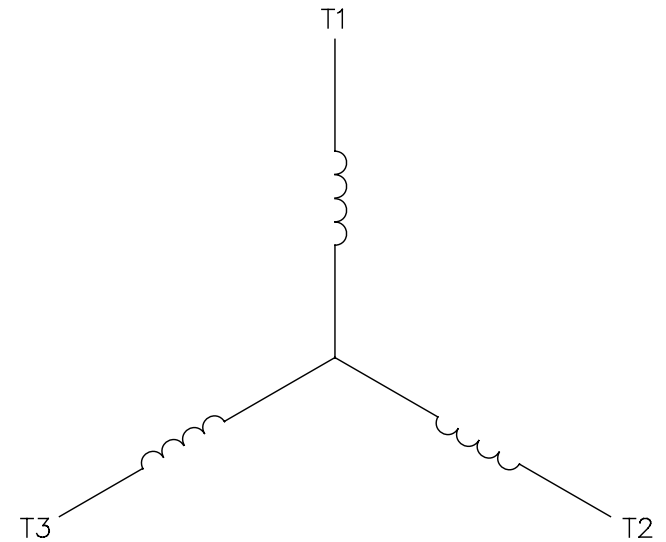
THIS DRAWING IN DESIGN AND DETAIL IS OUR PROPERTY AND MUST NOT BE USED EXCEPT IN CONNECTION WITH OUR WORK ALL RIGHTS OF DESIGN AND INVENTION ARE RESERVED THIS IS AN ELECTRONICALLY GENERATED DOCUMENT - DO NOT SCALE THIS PRINT

005102-01

VIEW FROM OUTSIDE OF MOTOR AT SWITCH END.



LINE LEADS



CONNECT LEADS AS FOLLOWS  
FOR FOUR CONDUCTOR CORD ( )

CORD	L1 (RED)	L2 (WHITE)	L3 (BLACK)	(GREEN)
MOTOR	T1	T2	T3	GROUND

				TOLERANCES UNLESS SPECIFIED		<b>Regal Beloit America, Inc.</b>		DRAWN JRW 9/11/75		
				DEC.	INCHES			CHK		
				.X	±.1			APPD JCW 9/11/75		
08	UPDATED TO REGAL LOGO	SAJ 06/26/15	AJY	.XX	±.01	TITLE EXTERNAL WIRING DIAGRAM TYPE "T" W/O PROTECTOR		SCALE 1=1		
07	UPDATED TO CURRENT STANDARDS	DBT 5/30/97		.XXX	±.005			REF W-T6343-6		
06	REDRAWN ON CAD; ADDED DECAL NUMBER	SAW 1/24/95		.XXXX	±.0005			MAT'L. DECAL - 004169		
NO.	REVISION	BY & DATE	CHK	ANG	±1/2"	FINISH		FMF 6T17FB7		
THIS DRAWING IN DESIGN AND DETAIL IS OUR PROPERTY AND MUST NOT BE USED EXCEPT IN CONNECTION WITH OUR WORK ALL RIGHTS OF DESIGN AND INVENTION ARE RESERVED THIS IS AN ELECTRONICALLY GENERATED DOCUMENT - DO NOT SCALE THIS PRINT				RFP 5/1/02		CAD FILE 00510201		SIZE	DRAWING NO.	
				DIST BRF-NLV				A	005102-01	



Data Sheet

Date: 29-06-2017  
 Customer: \_\_\_\_\_  
 Attention: \_\_\_\_\_  
 Submitted by: FAREEDA DUDEKULA

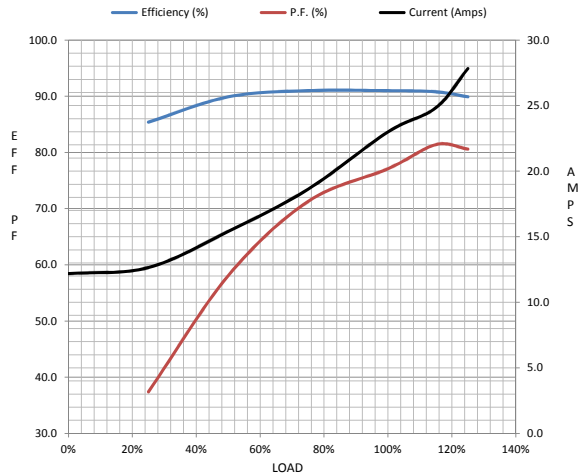


213TTDWD16347

Submittal  
 Data @ 200 V

Motor Load Data									
Load	0%	25%	50%	75%	100%	115%	125%	LR	
Current (Amps)	12.2	12.7	15.4	18.6	23.0	24.8	27.8	140	
Torque (ft-lb)	0.00	5.5	11.0	16.6	22.3	25.5	28.0	45.3	
RPM	1800	1792	1784	1775	1765	1,755	1748	0	
Efficiency (%)		85.4	89.9	91.0	91.0	90.8	89.9		
P.F. (%)	5.2	37.4	58.1	71.3	77.1	81.4	80.6	44.8	

Motor Speed Data						Information Block	
	LR	Pull-Up	BD	Rated	Idle		
Speed (RPM)	0	700	1575	1765	1800	HP	7.5
Current (Amps)	140	127	85.1	23.0	12.2	Sync. RPM	1800
Torque (ft-lb)	45.3	40.0	66.1	22.3	0.00	Frame	213
						Enclosure	DP
						Construction	TDW
						Voltage	200 V
						Frequency	60 Hz
						Design	B
						LR Code letter	H
						Service Factor	1.15
						Temp Rise @ FL	35 ° C
						Duty	CONT
						Ambient	40 ° C
						Elevation	1,000 feet
						Rotor/Shaft wk <sup>2</sup>	0.85 Lb-Ft <sup>2</sup>
						Ref Wdg	K2134278 NONE
						Sound Pressure @ 1M	66 dBA
						VFD Rating	NONE
						Outline Dwg	SS86596
						Conn. Diag	005102.01



Additional Specifications:	
0	
365THFS8036	
EQUIV CKT (OHMS / PHASE)	
R1	R2
0.1440	0.1060
X1	X2
0.4930	0.6990
Xm	
10.8610	

